

Brentwood Corp.

A DIVISION OF WOODCRAFT INDUSTRIES, INC.

Brentwood Corp. - Dovetail Drawer Box Parameters

February 1, 2011– Dovetail Construction

Specs in **RED** need to be set or verified.

Species

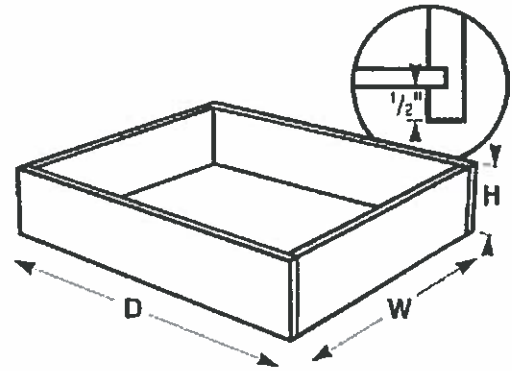
"Baltic Birch" Plywood in 15mm thickness

Solid 5/8" thickness in the following Species:
Maple, Alder, Red Oak, Beech, Cherry

Bottom

1/4" thick in matching hardwood.

Inset 1/2"



Width

Unlimited in increment, maximum width of 32".

Depth

Unlimited in increment, maximum depth of 32".

(Usually purchased in 12", 18" and 22" as dictated by drawer slide length)

Height (Measured at the face)

Available in 1" increments starting at 2" (Minimum). Also available in 2-1/4", 3-1/4" and 4-1/4". Maximum height is 15"

Dimensional Specifications

Width + or -

Depth + or -

Height + or -

Flatness (opposing corners) + or -

Hardware Notching

Notching available for: Accuride, Blum, Hettich, Ferrari, Melpa, KV and Hafele